

**Government of Rajasthan
Department of Tourism**

Sanjay Marg, Opp. Vidhayakpuri Police Station, Jaipur-302001
Telfax- 0141-5155100 Telephone 0141-5155159, 111
www.rajasthantourism.gov.in/Email-dotfestivals@gmail.com

(Bid No. 82/24-1-2018)

No. F. 4 () FF/DT/RFP-Naval Band/2017/23328-333

Date :24.01.2018

1. M/s WE- The Working Elements, FF2, Sahas Apartment, West High Court Road, Plot No. 64, Bajaj Nagar Square, Nagpur-440010 Email ID- rutike@wegigs.com
2. M/s Impressive Events hub Pvt. Ltd., B-96 Janta Colony, Jaipur- 302004. Email ID- impressiveindia@gmail.com
3. M/s Chandra Entrepreneurs Pvt. Ltd., Chandra Group, 28 Indra colony, Bani Park, Jaipur. Email ID- events.jaipur@chandraindia.com
4. M/s Vinsan Graphics, Next to Hotel Anantashram, Opp. UCO Bank, Vasco Da Gama, Goa. Email ID- sanjay@vinsanworld.com
5. M/s The Innuendo Communications, 7A/66,W.E.A., Karol Bagh, New Delhi-110005 Email ID- vipin@ticisfun.com
6. M/s Thot Media Private Limited, 80-D, Masjid Moth, New Delhi- 48. Email ID- yogesh@thot.co.in

Sub:- Request For proposal (RFP) for Organizing Naval Band Concert on 14th-15th February, 2018 , Jaipur.

Request for Proposal along with financial bid is invited from empaneled Event Management Agencies for Organizing Naval Band Concert on 14th February, 2018 at Central park and 15th February, 2018 at Birla Auditorium, Jaipur. Each participating agency is expected to appoint a dedicated team, led by Event Director for each activity. RFP shall include complete vision and concept plan for the show, which should be based on brief, list of activities and list of indicative works to be undertaken, as per Schedules & Annexures as enclosed and submitted in form of presentation before the designated committee. Agencies are expected to conduct a site visit and thereafter, prepare and submit RFP & financial bid online on eproc.rajasthan.gov.in

Last date & time for online submission of Bid	31.01.2018 up to 12.30 PM
Last date & time for submission of concept plan in form of presentation (hard & soft copy both)	31.01.2018 up to 12.30 PM to be deposited in Department of Tourism before scheduled time
Time and date for opening financial bid	31.01.2018 at 4.00 PM at office of Additional Director (Admn) Department of Tourism
Estimated cost of work	Rs 40.00 lacs (Forty lacs only)
Bid Processing Fee	Demand draft of Rs 500/- in favour of MD, RISL,Jaipur, to be deposited in Department of Tourism before scheduled time

This RFP is being issued in continuation to Bid no: 49 dated 12.07.2016 and consequent Office Order No: 30676 dated 28.02.2017 and those are part of this RFP. Accordingly, all terms & conditions mentioned in that bid will be applicable. If there is any query, the empaneled agencies may contact to Joint Director (Fairs & Festivals) or Assistant Director (FF) on 0141-5155111/159 or email to us cotraj@gmail.com or dotfestivals@gmail.com.

--Sd---
(Rashmi Sharma)
Additional Director(Admn.)

No. F. 4 () FF/DT/RFP-Naval Band/2017/23334-35

Date :24.01.2018

Copy for information and necessary action to the following: -

1. Financial Advisor, Head Quarter, Department of Tourism, Jaipur.
2. ACP (Computer), Department of Tourism, Jaipur to facilitate upload on E proc & SPPP portal site.

--Sd--

(Punita Singh)
Joint Director(FF)

Organizing Naval Band Concert
on 14th-15th February, 2018, Jaipur.

Background

Naval Symphonic Orchestra is available to perform in Jaipur on 14th Feb. at Central Park for public and on 15th Feb. at Birla Auditorium for select VIPS & Invitees of Government on the lines of year 2016.

The performance of Naval Symphonic band at Jaipur will be followed by performance at Ajmer on 17th and 18th Feb., 2018.

Department intends to hire interested, Empaneled Event Manager to plan, conceptualize and execute following activities on turnkey basis to ensure overall harmony and smooth organization of the program conducted with support of naval Staff.

I-Arrangements required at the Central Park

- Erection & Fabrication of stage, suitable backdrop, arrangements of stage light and sound, green rooms etc. as per requirement. Full setup of stage to be ready on 13th Feb for rehearsal & sound check.
- Overall conceptualization and implementation of stage decor at Central Park, which would include floral decoration, backdrop, standees and other appropriate modes of decoration befitting the event.
- Back stage management including tea, cookies, water for the Band performers.
- Floral bouquets etc. for the band performers and VVIP.

II- Seating Arrangement at the Central Park

- Seating arrangements for the VVIP and General audience- sofas in first two rows, followed by banquet chairs in five rows and normal chairs as per requirement at the venue.
- Chemical toilets for the performers, VVIP etc. Overall concept & implementation for seating arrangement and venue decoration.
- Sound system for the general audience.
- Silent Genset as per requirement
- Photographs of good quality (25 no's) in soft copy & printout.
- Complete videography of the event has to be done & provided to DOT.
- Any other requirement which the agency may consider appropriate. The above list is indicative and not exhaustive.

III- Arrangements required at Birla Auditorium

- Arrangements of stage, light and sound, VVIP seating (including coffee table) etc. as per requirement,
- Stage & sound to be ready one day prior to the event, i.e, 14 Feb.2018 for sound check and rehearsal.
- Fabrication of three tier stage on existing stage of Birla Auditorium as per design provided by Navy.
- Overall conceptualization and implementation of stage decor which would include floral decoration and other appropriate modes of decoration befitting the event.
- Back stage management including tea, cookies, water for the band performers (Arrangements for water and tea on both days).
- Floral bouquets etc. for the band performers and VVIP.
- Chairs without arms.
- Sound system for the general audience.
- Silent Genset as per requirement
- Photographs of good quality (25 no's) in soft copy & printout.
- Complete videography of the event has to be done & provided to DOT.
- Podium for emcee.
- Any other requirement which the agency may consider appropriate.

IV- Arrangements related to Transportation:

- Volvo AC Buses
- Covered trucks
- Cars and Innovas for Navy officers/Nodal officers

Schedule for Organizing Naval Band Concert at Central park, Jaipur.**Venue: Central Park****Date: 14th Feb., 2018****Time 7.00 pm to 10.00 pm****Sound rehearsal on 13th Feb, 2018****List of works to be undertaken at Central Park**

S. N.	Item
1.	Stage (As per annexure-II)
2.	Stage light as required
3.	Sound System (As per annexure-II)
4.	Silent Generator set as required
5.	Green Rooms-3nos
6.	Chemical Toilets-6nos
7.	Chairs (without arms) 85 nos
8.	Black masking as required
9.	Seating chairs (Executive)-100
10.	Seating Chairs (normal)-500
11.	Seating- Sofas -50
12.	Lights- Audience + Parking Areas as required
13.	Podium for Emcee
14.	Tea, Coffee, cookies for Naval officers and crew member-100 nos
15.	Ushers-2
16.	Led screen-1
17.	Photo of good quality (Hard & Soft copy)-25 nos
18.	Videography as required (Good quality)
19.	Bouquets for VVIP-10
20.	Venue Decoration as required
21.	Floral Decoration as required
22.	Backdrops and standees as required
23.	Barricading (Bamboo/Mozo) as required
24.	Any other requirement which the agency may consider appropriate.

The above list is only indicative and not exhaustive. The above quoted rates include all expenses in accordance with the terms & conditions of bid document and execution of the work at venues as per requirement.

Schedule for Organizing Naval Band Concert at Birla Auditorium, Jaipur.

Venue: Birla Auditorium

Date: 15th Feb., 2018

Time 7.00 pm to 10.00 pm

Sound rehearsal on 14th Feb, 2018

List of works to be undertaken at Birla Auditorium

S. N.	Item
1.	Sound System (As per annexure-II)
2.	Silent Generator set as required
3.	Tea, Coffee, cookies for Naval officers and crew members-100
4.	Ushers-2
5.	Photo (Hard & Soft copy)-25
6.	Videography as required, with live feed
7.	LED Screen (s) as backdrop (24ft.x14ft.) (As per annexure-II)
8.	Bouquets for Chief Guest and VVIP-5
9.	Venue Decoration as required
10.	Floral Decoration as required
11.	Transport Support
12.	Any other requirement which the agency may consider appropriate.

The above list is only indicative and not exhaustive. The above quoted rates include all expenses in accordance with the terms & conditions of bid document and execution of the work at venues as per requirement.

Schedule for arrangements related to transportation & accommodation.

List of works to be undertaken

S. N.	Item
1.	One covered truck (16 Mtr / 22 Ft) to be positioned PM 12 Feb for loading musical instruments (As per annexure-I)
2.	Cars per day-03 (As per annexure-I)
3.	SUV Cars per day-03 (As per annexure-I)
4.	Accommodation at Jaipur for Musicians (As per annexure-I)
5.	Any other requirement which the agency may consider appropriate.

Item Wise BoQ1 (Financial Bid-1)

RFP Inviting Authority: Director, Department of Tourism, Government of Rajasthan

Name of Work: Organizing Naval Band Concert on 14th-15th February, 2018 , Jaipur (Please See Details of Works in Schedule-1,2,3 and Annexure I,II)

Contract No: F4 (208) FF/DT/Naval Band Bid No.82 Dated 24-01-2018

Bidder Name :

PRICE SCHEDULE

(This BOQ template must not be modified/replaced by the bidder and the same should be uploaded after filling the relevant columns, else the bidder is liable to be rejected for this tender. Bidders are allowed to enter the Bidder Name and Values only)

Sl. No.	Item Description	Total Amount (Rs.) for the Event including all taxes, levies & octroi etc. (In Figures)	Total Amount (Rs.) for the Event including all taxes, levies & octroi etc. (In Figures)	Total Amount (Rs.) for the Event including all taxes, levies & octroi etc. (In Words)
1	2	3	4	5
1	Organizing Naval Band Concert on 14th-15th February, 2018 , Jaipur (Please See Details of Works in Schedule-1,2,3 and Annexure I,II)		0.0000	INR Zero Only
Total in Figures			0.0000	INR Zero Only
Quoted Rate in Words				

REQUIREMENTS FOR BAND PERFORMANCE**1. Transport for Musicians and Equipment (13 Feb to 19 Feb 18).**

Sl	Date	Activity	Requirement
(a)	AM 13 Feb 18	Depart Delhi for Jaipur	(a) Two 52 Seater Volvo AC Buses (b) One covered truck (16 Mtr / 22 Ft) to be positioned PM 12 Feb for loading musical instruments
	13-15 Feb 18	Transport at Jaipur for Band Performance on 14 & 15 Feb 18	As per programme
(b)	AM 16 Feb 18	Depart Jaipur for Ajmer	As per programme
	AM 16 - 18 Feb 18	Transport at Ajmer for Band Performance	As per programme
(c)	AM 19 Feb 18	Depart Ajmer for Delhi	Arrive Delhi PM 19 Feb 18

2. Transport for Officers at Jaipur & Ajmer (13 Feb to 19 Feb 18).

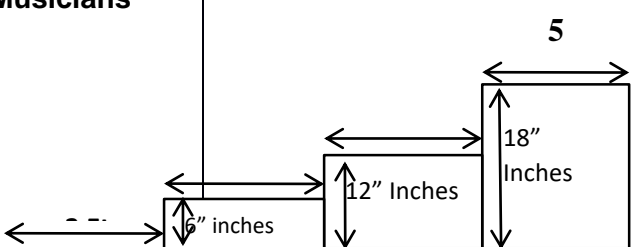
Ser	Date	Activity	Requirement
(a)	13 - 16 Feb 18	(a) PM 13 Feb - Receive Officers at Jaipur Airport. (b) Liaising requirements at Jaipur for the Band Performance.	02 Cars and 01 Innova
(b)	16 Feb 18	Depart Jaipur for Ajmer	02 Cars and 01 Innova
(c)	16-18 Feb 18	Liaising at Ajmer for the Band Performance.	02 Cars and 01 Innova
(b)	19 Feb 18	Depart Ajmer for Jaipur Airport	02 Cars and 01 Innova

3. Accommodation at Jaipur for Musicians.

Ser	Date	Requirement
(a)	13 – 16 Feb 18	27 Rooms @ Triple Occupancy for 80 Junior Sailors (NCOs) 03 Rooms @ Double Occupancy for 05 Senior sailors (JCOs)
(b)	AM 16 Feb 18	Check out and depart Jaipur for Ajmer

4. Arrangements for Band Performance at Jaipur (Birla Auditorium & Central Park).

Ser	Requirement	Description	Qty	Purpose	
(a)	Stage for band performance	Dimension of stage: - Width = 50 ft Depth = 40 ft Height = as required	01		
		Armless Chairs on stage	85	For seating musicians	
		Podium	01	For Emcee	
		Central Park – LED Screen 24 X 14 Ft	01	LED Screen to be raised by 7 Feet behind the stage and for utilisation of projecting videos, backdrops and related photographs.	
		Birla Auditorium – LED Screen 24 X 14 Ft	01		
(b)	Sound system	Sound system: - (a) 25000 watts (Indoor performance) (b) 30000 watts (Outdoor performance)		(a) Indoor – Birla Auditorium. (b) Open air – Central Park.	
		(a) Stage Monitors	(a) 10	(a) For other musicians.	
		(b) In ear monitor – Senheiser monitors	(b) 01	(b) For double bass player.	
		Mixer with effects	01	40 channel mixer	
		Microphones for: -			
		(a) Condensers	04		
		(b) Tabla	02		
		(c) Mridangam	02		
		(d) Sitar	01	AKG – Pick up mic	
		(e) Double Bass	01	AKG – Pick up mic	
		(f) Xylophone	02	-	
		(g) Bamboo Flute	01	Senheiser Clip-on Head Mic	
		(h) Saxophone	01	Senheiser Clip-on Mic	
		(j) Solo Violin	01	AKG – Pick up mic	
		(k) Mandolin	01	AKG Pick up mic	
		(l) Vocal	04	Senheiser cordless mics	
		(m) Others	10	-	
		Drum Kit for Jazz Drums	01	For amplification	
		Inputs for the following instruments: -			
		Lead Guitar & Acoustic Guitar	03		
Bass Guitar	01				
Keyboard & Digital Piano	02				
Octopad	02				

<p>(c)</p>	<p>Seating for Musicians</p>	<p>Stepped seating arrangement: -</p> 	<p>(a) 1st Row on ground level with 3 ft depth.</p> <p>(b) 2nd Row 6" above ground level with 3 ft depth.</p> <p>(c) 3rd Row 1 Ft above ground level with 4 ft depth.</p> <p>(d) 4th Row 1 ½ Ft above ground level with 5 ft depth.</p>
------------	-------------------------------------	--	---

